

Indoor Lighting Solution

## Blackhole Lens – 3528 Series

SLJB-1T0C170DPMN-XX



## Product Brief

### Description

- Optimized optics for better light homogeneity
- Wide beam to make the fixture slimmer and thinner
- High efficiency
- Proprietary Blackhole Technology

### Features and Benefits

- Wide beam distribution
- High efficiency
- Uniform optical distribution

### Key Applications

- Troffer/Panel lighting
- Linear tube
- Bay lighting

### Material

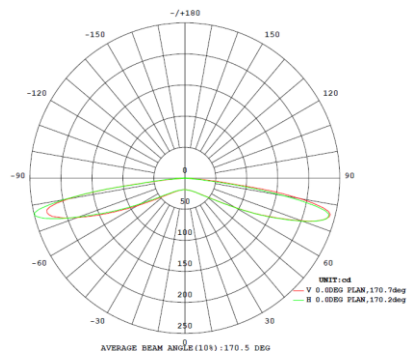
- PMMA
- Efficiency: 96%

### Dimensions

- D(mm)\*H(mm) : 15.5\*5.69

### Beam Angle

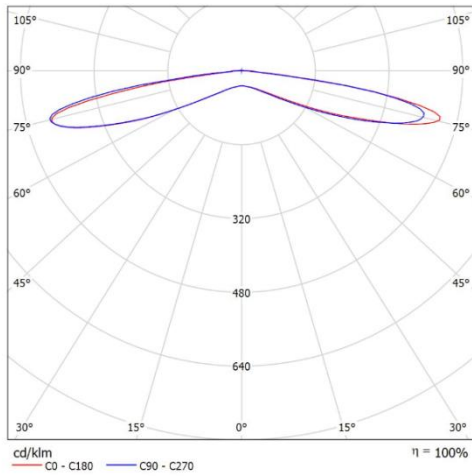
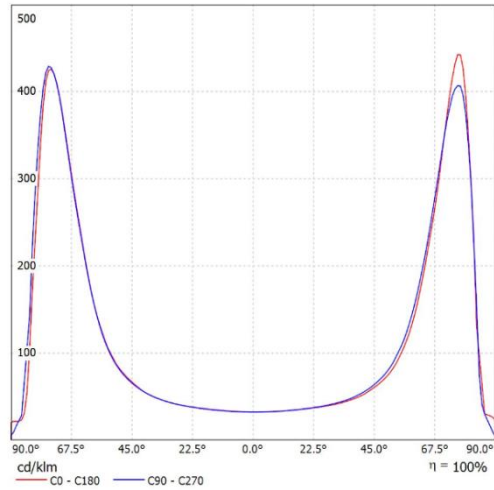
- 170 Degree


**Table 1. Product Information**

Part No.	Material	Efficiency	Beam Type	Location	Size(mm)
SLJB-1T0C170DPMN-XX	PMMA	96%	170 Degree	Outer legs	(D)15.5* (H)5.69

Suitable led source	View Angle (Degree)	CCT	CRI	Certificate	Size (mm)
DC/MJT 3528	120	2100-7000	Min70	LM80	3.4*2.8*0.7

# Optical Characteristics

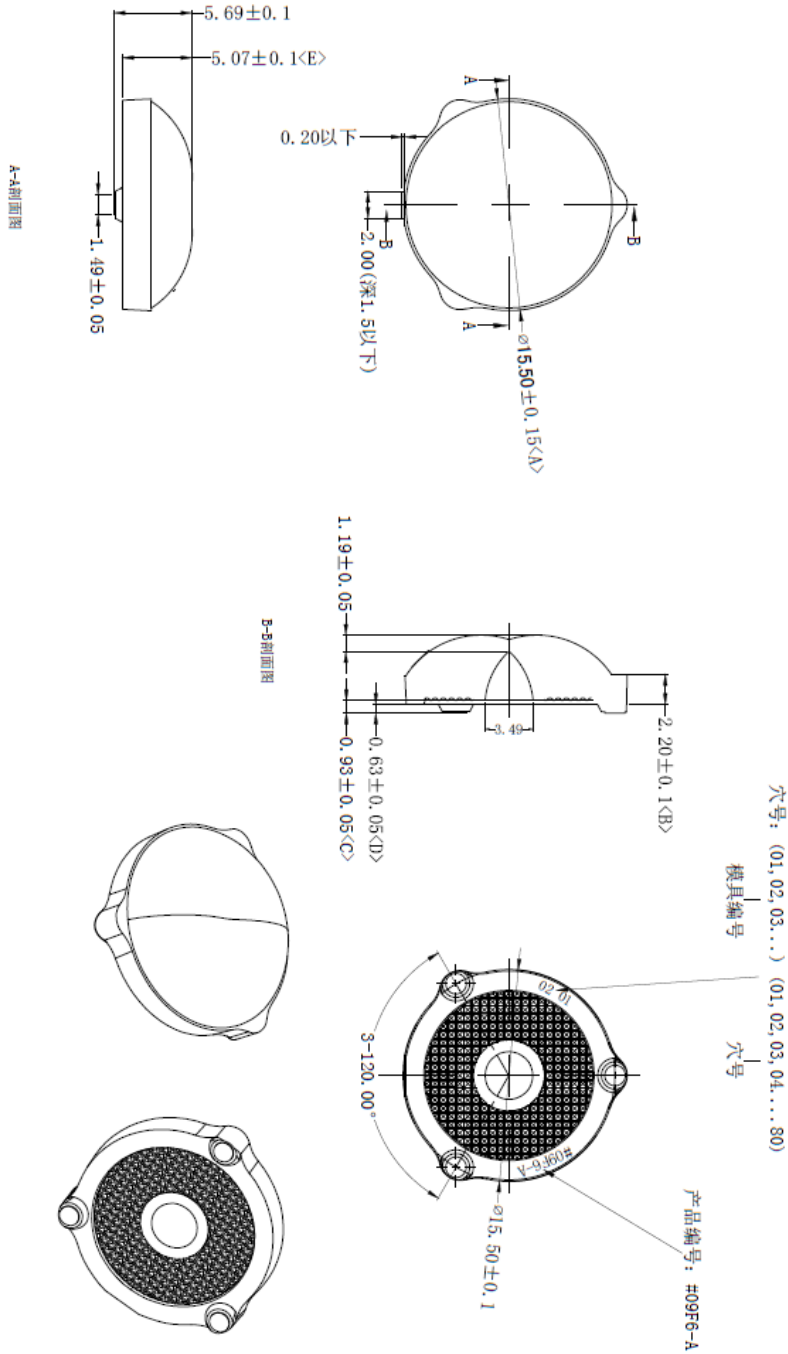
**Polar Candela Distribution**

**Linear Candela Distribution**


## Photometric Report Summary

Characteristics	Properties
<b>IES Classification</b>	Direct
<b>Beam Angle(50%-Degree)</b>	Horizontal 170, Vertical 170
<b>Max. Cd. (Degree)</b>	15H, 77V
<b>Zonal Lumen(0-60 Degree)</b>	19.5%
<b>Zonal Lumen(60-90 Degree)</b>	77.5%

# Mechanical Dimensions

## SLJB-1T0C170DPMN-XX



## Material Properties

Category	Properties
Material	PMMA
Trade Name	MITSUBISHI
P/N	VH001
Flammability	UL 94-HB
UL File No.	E256044
Heat Deflection Temperature	1.8MPa, Unannealed: 100 °C
Refractive Index	1.49
Transmittance(3000μm)	93.0%

## Operation Environment

Item	Standard
Suitable Light Source	DC/MJT 3528
Ambient Temp. Range	-30°C~+85°C
Operation Temp. Range	-10°C~+85°C
Recommended Storage Environment	Temperature: -10°C~+40°C Humidity: < 80%RH
Install Method	SMT by glue

## Marking Information

• **Table 1. Product Information**

S L J B - 1 T 0 C 170D PM N - XX  
 ①      ②      ③      ④      ⑤      ⑥      ⑦      ⑧      ⑨      ⑩

No	Data	Digit	Example	Remark
1	Product Name-1	3	SLJ	SSC internal code: SSC Lens Lighting
2	Product Name-2	1	B	SSC internal code: B: Bar H: Highbay/Lowbay/Flood/Spot/Down Light L: Linear P: MR, Par Q: Outdoor
3	Lens Category	1	1	0: All 1: Single Lens 2: Array Lens
4	Product Name-3	1	T	Type (Fixed)
5	Type Class-1	1	0	0: Indoor Lens
6	Type Class-2	1	C	B: Inner legs C: Outer legs
7	Beam Angle	4	170D	170D: 170°
8	Materials	2	PM	PC: PC PM: PMMA
9	LED Source	1	N	N: DC/MJT 3528 PKG
10	Notes	2	XX	Reference Design

## Packing



- Lens packed in a bag in bulk. The number of lens is 1k pcs.



- Prepare all the bags with product label, and check the bags packing.



- Put the single bags into carton. Each carton includes 10 bags.



- Pack the carton and mark labels.
- Carton size: 388\*368\*165mm
- Carton weight: 9.0 +- 0.5 kg
- Each carton includes a total of 10k pcs single lens.



## Company Information

### Published by

Seoul Semiconductor © 2013 All Rights Reserved.

### Company Information

Seoul Semiconductor (SeoulSemicon.com) manufactures and packages a wide selection of light emitting diodes (LEDs) for the automotive, general illumination/lighting, appliance, signage and back lighting markets. The company is the world's fifth largest LED supplier, holding more than 10,000 patents globally, while offering a wide range of LED technology and production capacity in areas such as "nPola", deep UV LEDs, "Acrich", the world's first commercially produced AC LED, and "Acrich MJT - Multi-Junction Technology" a proprietary family of high-voltage LEDs. The company's broad product portfolio includes a wide array of package and device choices such as Acrich, high-brightness LEDs, mid-power LEDs, side-view LEDs, through-hole type LED lamps, custom displays, and sensors. The company is vertically integrated from epitaxial growth and chip manufacture in its fully owned subsidiary, Seoul Viosys, through packaged LEDs and LED modules in three Seoul Semiconductor manufacturing facilities. Seoul Viosys also manufactures a wide range of unique deep-UV wavelength devices.

### Legal Disclaimer

Information in this document is provided in connection with Seoul Semiconductor products. With respect to any examples or hints given herein, any typical values stated herein and/or any information regarding the application of the device, Seoul Semiconductor hereby disclaims any and all warranties and liabilities of any kind, including without limitation, warranties of non-infringement of intellectual property rights of any third party. The appearance and specifications of the product can be changed to improve the quality and/or performance without notice.



## Revision History

Revision	Date	Page	Remarks
0.1	2019/04/25	All	Version R0.1